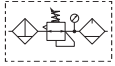


**Popular Combinations:** Inlet pressure 145 psig (10 bar), secondary pressure 91.3 psig (6.3 bar), 14.5 psig (1 bar) pressure drop.



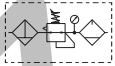
**Filter + Regulator + Lubricator Combinations, poly bowl**  
**5 micron element, 116 psig (8 bar) regulator + gauge and wall mounting brackets**



| Port Size | Flow                                  | Manual Drain           | Auto Drain             |
|-----------|---------------------------------------|------------------------|------------------------|
| 1/2"      | 90 scfm (43 dm <sup>3</sup> /s, ANR)  | <b>P33CB14GEMNGLNW</b> | <b>P33CB14GEANGLNW</b> |
| 3/4"      | 110 scfm (52 dm <sup>3</sup> /s, ANR) | <b>P33CB16GEMNGLNW</b> | <b>P33CB16GEANGLNW</b> |



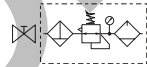
**Filter/Regulator + Lubricator Combinations, poly bowl**  
**5 micron element, 116 psig (8 bar) regulator + gauge and wall mounting brackets**



| Port Size | Flow                                  | Manual Drain           | Auto Drain             |
|-----------|---------------------------------------|------------------------|------------------------|
| 1/2"      | 110 scfm (52 dm <sup>3</sup> /s, ANR) | <b>P33CA14GEMNGLNW</b> | <b>P33CA14GEANGLNW</b> |
| 3/4"      | 150 scfm (71 dm <sup>3</sup> /s, ANR) | <b>P33CA16GEMNGLNW</b> | <b>P33CA16GEANGLNW</b> |



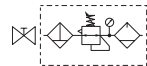
**Ball Valve + Filter + Regulator + Lubricator Combinations, poly bowl**  
**5 micron element, 116 psig (8 bar) regulator + gauge and wall mounting brackets**



| Port Size | Flow                                  | Manual Drain           | Auto Drain             |
|-----------|---------------------------------------|------------------------|------------------------|
| 1/2"      | 90 scfm (43 dm <sup>3</sup> /s, ANR)  | <b>P33QB14GEMNGLNW</b> | <b>P33QB14GEANGLNW</b> |
| 3/4"      | 110 scfm (52 dm <sup>3</sup> /s, ANR) | <b>P33QB16GEMNGLNW</b> | <b>P33QB16GEANGLNW</b> |



**Ball Valve + Filter/Regulator + Lubricator Combinations, poly bowl**  
**5 micron element, 116 psig (8 bar) regulator + gauge and wall mounting brackets**



| Port Size | Flow                                  | Manual Drain           | Auto Drain             |
|-----------|---------------------------------------|------------------------|------------------------|
| 1/2"      | 110 scfm (52 dm <sup>3</sup> /s, ANR) | <b>P33QA14GEMNGLNW</b> | <b>P33QA14GEANGLNW</b> |
| 3/4"      | 150 scfm (71 dm <sup>3</sup> /s, ANR) | <b>P33QA16GEMNGLNW</b> | <b>P33QA16GEANGLNW</b> |

All combo are without any mounting nut on regulator or filter regulator.

**Filter / Regulator coding**  
(use with codes: A M)

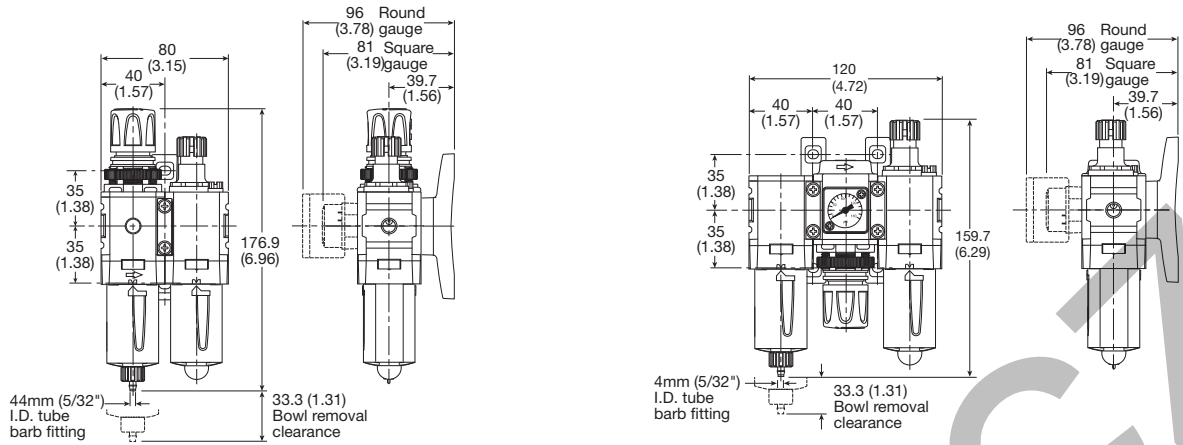
| Filter coding<br>(use with combo codes:<br>B F G). For multiple filters,<br>repeat as needed.  | Regulator coding<br>(use with combo code: B) | Lubricator coding<br>(use with combo<br>codes: A B) | Assembly<br>configuration |          |             |          |       |          |         |          |       |          |        |          |      |          |  |  |                           |          |                                |           |                             |          |   |               |          |                        |           |            |          |                     |           |            |          |                     |           |          |          |            |          |              |          |  |                           |          |                         |          |                         |          |                          |          |                           |           |                         |          |                         |          |                          |          |                           |           |   |                              |          |                      |          |  |            |          |             |          |                         |          |              |          |
|--|--|---|---------------------------|----------|-------------|----------|-------|----------|---------|----------|-------|----------|--------|----------|------|----------|--|--|---------------------------|----------|--------------------------------|-----------|-----------------------------|----------|---|---------------|----------|------------------------|-----------|------------|----------|---------------------|-----------|------------|----------|---------------------|-----------|----------|----------|------------|----------|--------------|----------|--|---------------------------|----------|-------------------------|----------|-------------------------|----------|--------------------------|----------|---------------------------|-----------|-------------------------|----------|-------------------------|----------|--------------------------|----------|---------------------------|-----------|---|------------------------------|----------|----------------------|----------|--|------------|----------|-------------|----------|-------------------------|----------|--------------|----------|
| <p><b>P33</b></p> <p><b>Combination</b></p> <table border="1"> <tr><td>B/V + Combination</td><td><b>Q</b></td></tr> <tr><td>Combination + B/V</td><td><b>X</b></td></tr> <tr><td>Combination</td><td><b>C</b></td></tr> </table> <p>B/V = Ball valve</p> <p><b>Combination Type*</b></p> <table border="1"> <tr><td>F/R+L</td><td><b>A</b></td><td>F+Fc+Fa</td><td><b>G</b></td></tr> <tr><td>F+R+L</td><td><b>B</b></td><td>F/R+Fc</td><td><b>M</b></td></tr> <tr><td>F+Fc</td><td><b>F</b></td><td></td><td></td></tr> </table> <p>* Combination type<br/>F = 5µ<br/>Fc1 = 1µ<br/>Fc = .01µ<br/>Fa = Adsorber</p> <p><b>Bowl Type †</b></p> <table border="1"> <tr><td>Poly Bowl With Bowl Guard</td><td><b>G</b></td></tr> <tr><td>Metal Bowl Without Sight Gauge</td><td><b>M*</b></td></tr> <tr><td>Metal Bowl With Sight Gauge</td><td><b>S</b></td></tr> </table> <p>† For polycarbonate bowl, see caution in Engineering Section A.<br/>* Not available when using lubricator. <b>Note:</b> All bowl types are the same for each component.<br/><b>Example:</b> If a "G" is specified for a F+L, both units would get a poly bowl with bowl guard.</p> | B/V + Combination                            | <b>Q</b>  | Combination + B/V         | <b>X</b> | Combination | <b>C</b> | F/R+L | <b>A</b> | F+Fc+Fa | <b>G</b> | F+R+L | <b>B</b> | F/R+Fc | <b>M</b> | F+Fc | <b>F</b> |  |  | Poly Bowl With Bowl Guard | <b>G</b> | Metal Bowl Without Sight Gauge | <b>M*</b> | Metal Bowl With Sight Gauge | <b>S</b> | <p><b>Element</b></p> <table border="1"> <tr><td>0.01µ Element</td><td><b>C</b></td></tr> <tr><td>0.01µ Element with dpi</td><td><b>D*</b></td></tr> <tr><td>5µ Element</td><td><b>E</b></td></tr> <tr><td>1µ Element with dpi</td><td><b>F*</b></td></tr> <tr><td>1µ Element</td><td><b>9</b></td></tr> <tr><td>5µ Element with dpi</td><td><b>Q*</b></td></tr> <tr><td>Adsorber</td><td><b>A</b></td></tr> </table> <p>* Not available with F/R.</p> <p><b>Drain Type</b></p> <table border="1"> <tr><td>Auto Drain</td><td><b>A</b></td></tr> <tr><td>Manual Drain</td><td><b>M</b></td></tr> </table> | 0.01µ Element | <b>C</b> | 0.01µ Element with dpi | <b>D*</b> | 5µ Element | <b>E</b> | 1µ Element with dpi | <b>F*</b> | 1µ Element | <b>9</b> | 5µ Element with dpi | <b>Q*</b> | Adsorber | <b>A</b> | Auto Drain | <b>A</b> | Manual Drain | <b>M</b> | <p><b>Relief / Adjustment</b></p> <table border="1"> <tr><td>Non-Rising Knob Relieving</td><td><b>N</b></td></tr> </table> <p><b>Adjustment Range</b></p> <table border="1"> <tr><td>30 psig; 2 bar; 0.2 MPa</td><td><b>Z</b></td></tr> <tr><td>60 psig; 4 bar; 0.4 MPa</td><td><b>M</b></td></tr> <tr><td>125 psig; 8 bar; 0.8 MPa</td><td><b>G</b></td></tr> <tr><td>250 psig; 17 bar; 1.7 MPa</td><td><b>J*</b></td></tr> </table> <p><b>Without Gauge</b></p> <table border="1"> <tr><td>30 psig; 2 bar; 0.2 MPa</td><td><b>Y</b></td></tr> <tr><td>60 psig; 4 bar; 0.4 MPa</td><td><b>L</b></td></tr> <tr><td>125 psig; 8 bar; 0.8 MPa</td><td><b>N</b></td></tr> <tr><td>250 psig; 17 bar; 1.7 MPa</td><td><b>H*</b></td></tr> </table> <p>* Not available with poly bowl with bowl guard.</p> | Non-Rising Knob Relieving | <b>N</b> | 30 psig; 2 bar; 0.2 MPa | <b>Z</b> | 60 psig; 4 bar; 0.4 MPa | <b>M</b> | 125 psig; 8 bar; 0.8 MPa | <b>G</b> | 250 psig; 17 bar; 1.7 MPa | <b>J*</b> | 30 psig; 2 bar; 0.2 MPa | <b>Y</b> | 60 psig; 4 bar; 0.4 MPa | <b>L</b> | 125 psig; 8 bar; 0.8 MPa | <b>N</b> | 250 psig; 17 bar; 1.7 MPa | <b>H*</b> | <p><b>Lub Type</b></p> <table border="1"> <tr><td>Oil Mist Standard Sight Dome</td><td><b>L</b></td></tr> </table> <p><b>Drain Type</b></p> <table border="1"> <tr><td>No Drain; Closed End</td><td><b>N</b></td></tr> </table> | Oil Mist Standard Sight Dome | <b>L</b> | No Drain; Closed End | <b>N</b> | <p><b>Mounting</b></p> <table border="1"> <tr><td>No Bracket</td><td><b>A</b></td></tr> <tr><td>Port Blocks</td><td><b>C</b></td></tr> <tr><td>Port Blocks &amp; Wall Brkt</td><td><b>D</b></td></tr> <tr><td>Wall Bracket</td><td><b>W</b></td></tr> </table> | No Bracket | <b>A</b> | Port Blocks | <b>C</b> | Port Blocks & Wall Brkt | <b>D</b> | Wall Bracket | <b>W</b> |
| B/V + Combination  | <b>Q</b>                                     |   |                           |          |             |          |       |          |         |          |       |          |        |          |      |          |  |  |                           |          |                                |           |                             |          |   |               |          |                        |           |            |          |                     |           |            |          |                     |           |          |          |            |          |              |          |  |                           |          |                         |          |                         |          |                          |          |                           |           |                         |          |                         |          |                          |          |                           |           |   |                              |          |                      |          |  |            |          |             |          |                         |          |              |          |
| Combination + B/V  | <b>X</b>                                     |   |                           |          |             |          |       |          |         |          |       |          |        |          |      |          |  |  |                           |          |                                |           |                             |          |   |               |          |                        |           |            |          |                     |           |            |          |                     |           |          |          |            |          |              |          |  |                           |          |                         |          |                         |          |                          |          |                           |           |                         |          |                         |          |                          |          |                           |           |   |                              |          |                      |          |  |            |          |             |          |                         |          |              |          |
| Combination  | <b>C</b>                                     |   |                           |          |             |          |       |          |         |          |       |          |        |          |      |          |  |  |                           |          |                                |           |                             |          |   |               |          |                        |           |            |          |                     |           |            |          |                     |           |          |          |            |          |              |          |  |                           |          |                         |          |                         |          |                          |          |                           |           |                         |          |                         |          |                          |          |                           |           |   |                              |          |                      |          |  |            |          |             |          |                         |          |              |          |
| F/R+L  | <b>A</b>                                     | F+Fc+Fa   | <b>G</b>                  |          |             |          |       |          |         |          |       |          |        |          |      |          |  |  |                           |          |                                |           |                             |          |   |               |          |                        |           |            |          |                     |           |            |          |                     |           |          |          |            |          |              |          |  |                           |          |                         |          |                         |          |                          |          |                           |           |                         |          |                         |          |                          |          |                           |           |   |                              |          |                      |          |  |            |          |             |          |                         |          |              |          |
| F+R+L  | <b>B</b>                                     | F/R+Fc  | <b>M</b>                  |          |             |          |       |          |         |          |       |          |        |          |      |          |  |  |                           |          |                                |           |                             |          |   |               |          |                        |           |            |          |                     |           |            |          |                     |           |          |          |            |          |              |          |  |                           |          |                         |          |                         |          |                          |          |                           |           |                         |          |                         |          |                          |          |                           |           |   |                              |          |                      |          |  |            |          |             |          |                         |          |              |          |
| F+Fc   | <b>F</b>                                     |   |                           |          |             |          |       |          |         |          |       |          |        |          |      |          |  |  |                           |          |                                |           |                             |          |   |               |          |                        |           |            |          |                     |           |            |          |                     |           |          |          |            |          |              |          |  |                           |          |                         |          |                         |          |                          |          |                           |           |                         |          |                         |          |                          |          |                           |           |   |                              |          |                      |          |  |            |          |             |          |                         |          |              |          |
| Poly Bowl With Bowl Guard  | <b>G</b>                                     |   |                           |          |             |          |       |          |         |          |       |          |        |          |      |          |  |  |                           |          |                                |           |                             |          |   |               |          |                        |           |            |          |                     |           |            |          |                     |           |          |          |            |          |              |          |  |                           |          |                         |          |                         |          |                          |          |                           |           |                         |          |                         |          |                          |          |                           |           |   |                              |          |                      |          |  |            |          |             |          |                         |          |              |          |
| Metal Bowl Without Sight Gauge   | <b>M*</b>                                    |   |                           |          |             |          |       |          |         |          |       |          |        |          |      |          |  |  |                           |          |                                |           |                             |          |   |               |          |                        |           |            |          |                     |           |            |          |                     |           |          |          |            |          |              |          |  |                           |          |                         |          |                         |          |                          |          |                           |           |                         |          |                         |          |                          |          |                           |           |   |                              |          |                      |          |  |            |          |             |          |                         |          |              |          |
| Metal Bowl With Sight Gauge  | <b>S</b>                                     |   |                           |          |             |          |       |          |         |          |       |          |        |          |      |          |  |  |                           |          |                                |           |                             |          |   |               |          |                        |           |            |          |                     |           |            |          |                     |           |          |          |            |          |              |          |  |                           |          |                         |          |                         |          |                          |          |                           |           |                         |          |                         |          |                          |          |                           |           |   |                              |          |                      |          |  |            |          |             |          |                         |          |              |          |
| 0.01µ Element  | <b>C</b>                                     |   |                           |          |             |          |       |          |         |          |       |          |        |          |      |          |  |  |                           |          |                                |           |                             |          |   |               |          |                        |           |            |          |                     |           |            |          |                     |           |          |          |            |          |              |          |  |                           |          |                         |          |                         |          |                          |          |                           |           |                         |          |                         |          |                          |          |                           |           |   |                              |          |                      |          |  |            |          |             |          |                         |          |              |          |
| 0.01µ Element with dpi   | <b>D*</b>                                    |   |                           |          |             |          |       |          |         |          |       |          |        |          |      |          |  |  |                           |          |                                |           |                             |          |   |               |          |                        |           |            |          |                     |           |            |          |                     |           |          |          |            |          |              |          |  |                           |          |                         |          |                         |          |                          |          |                           |           |                         |          |                         |          |                          |          |                           |           |   |                              |          |                      |          |  |            |          |             |          |                         |          |              |          |
| 5µ Element   | <b>E</b>                                     |   |                           |          |             |          |       |          |         |          |       |          |        |          |      |          |  |  |                           |          |                                |           |                             |          |   |               |          |                        |           |            |          |                     |           |            |          |                     |           |          |          |            |          |              |          |  |                           |          |                         |          |                         |          |                          |          |                           |           |                         |          |                         |          |                          |          |                           |           |   |                              |          |                      |          |  |            |          |             |          |                         |          |              |          |
| 1µ Element with dpi  | <b>F*</b>                                    |   |                           |          |             |          |       |          |         |          |       |          |        |          |      |          |  |  |                           |          |                                |           |                             |          |   |               |          |                        |           |            |          |                     |           |            |          |                     |           |          |          |            |          |              |          |  |                           |          |                         |          |                         |          |                          |          |                           |           |                         |          |                         |          |                          |          |                           |           |   |                              |          |                      |          |  |            |          |             |          |                         |          |              |          |
| 1µ Element   | <b>9</b>                                     |   |                           |          |             |          |       |          |         |          |       |          |        |          |      |          |  |  |                           |          |                                |           |                             |          |   |               |          |                        |           |            |          |                     |           |            |          |                     |           |          |          |            |          |              |          |  |                           |          |                         |          |                         |          |                          |          |                           |           |                         |          |                         |          |                          |          |                           |           |   |                              |          |                      |          |  |            |          |             |          |                         |          |              |          |
| 5µ Element with dpi  | <b>Q*</b>                                    |   |                           |          |             |          |       |          |         |          |       |          |        |          |      |          |  |  |                           |          |                                |           |                             |          |   |               |          |                        |           |            |          |                     |           |            |          |                     |           |          |          |            |          |              |          |  |                           |          |                         |          |                         |          |                          |          |                           |           |                         |          |                         |          |                          |          |                           |           |   |                              |          |                      |          |  |            |          |             |          |                         |          |              |          |
| Adsorber   | <b>A</b>                                     |   |                           |          |             |          |       |          |         |          |       |          |        |          |      |          |  |  |                           |          |                                |           |                             |          |   |               |          |                        |           |            |          |                     |           |            |          |                     |           |          |          |            |          |              |          |  |                           |          |                         |          |                         |          |                          |          |                           |           |                         |          |                         |          |                          |          |                           |           |   |                              |          |                      |          |  |            |          |             |          |                         |          |              |          |
| Auto Drain   | <b>A</b>                                     |   |                           |          |             |          |       |          |         |          |       |          |        |          |      |          |  |  |                           |          |                                |           |                             |          |   |               |          |                        |           |            |          |                     |           |            |          |                     |           |          |          |            |          |              |          |  |                           |          |                         |          |                         |          |                          |          |                           |           |                         |          |                         |          |                          |          |                           |           |   |                              |          |                      |          |  |            |          |             |          |                         |          |              |          |
| Manual Drain   | <b>M</b>                                     |   |                           |          |             |          |       |          |         |          |       |          |        |          |      |          |  |  |                           |          |                                |           |                             |          |   |               |          |                        |           |            |          |                     |           |            |          |                     |           |          |          |            |          |              |          |  |                           |          |                         |          |                         |          |                          |          |                           |           |                         |          |                         |          |                          |          |                           |           |   |                              |          |                      |          |  |            |          |             |          |                         |          |              |          |
| Non-Rising Knob Relieving  | <b>N</b>                                     |   |                           |          |             |          |       |          |         |          |       |          |        |          |      |          |  |  |                           |          |                                |           |                             |          |   |               |          |                        |           |            |          |                     |           |            |          |                     |           |          |          |            |          |              |          |  |                           |          |                         |          |                         |          |                          |          |                           |           |                         |          |                         |          |                          |          |                           |           |   |                              |          |                      |          |  |            |          |             |          |                         |          |              |          |
| 30 psig; 2 bar; 0.2 MPa  | <b>Z</b>                                     |   |                           |          |             |          |       |          |         |          |       |          |        |          |      |          |  |  |                           |          |                                |           |                             |          |   |               |          |                        |           |            |          |                     |           |            |          |                     |           |          |          |            |          |              |          |  |                           |          |                         |          |                         |          |                          |          |                           |           |                         |          |                         |          |                          |          |                           |           |   |                              |          |                      |          |  |            |          |             |          |                         |          |              |          |
| 60 psig; 4 bar; 0.4 MPa  | <b>M</b>                                     |   |                           |          |             |          |       |          |         |          |       |          |        |          |      |          |  |  |                           |          |                                |           |                             |          |   |               |          |                        |           |            |          |                     |           |            |          |                     |           |          |          |            |          |              |          |  |                           |          |                         |          |                         |          |                          |          |                           |           |                         |          |                         |          |                          |          |                           |           |   |                              |          |                      |          |  |            |          |             |          |                         |          |              |          |
| 125 psig; 8 bar; 0.8 MPa   | <b>G</b>                                     |   |                           |          |             |          |       |          |         |          |       |          |        |          |      |          |  |  |                           |          |                                |           |                             |          |   |               |          |                        |           |            |          |                     |           |            |          |                     |           |          |          |            |          |              |          |  |                           |          |                         |          |                         |          |                          |          |                           |           |                         |          |                         |          |                          |          |                           |           |   |                              |          |                      |          |  |            |          |             |          |                         |          |              |          |
| 250 psig; 17 bar; 1.7 MPa  | <b>J*</b>                                    |   |                           |          |             |          |       |          |         |          |       |          |        |          |      |          |  |  |                           |          |                                |           |                             |          |   |               |          |                        |           |            |          |                     |           |            |          |                     |           |          |          |            |          |              |          |  |                           |          |                         |          |                         |          |                          |          |                           |           |                         |          |                         |          |                          |          |                           |           |   |                              |          |                      |          |  |            |          |             |          |                         |          |              |          |
| 30 psig; 2 bar; 0.2 MPa  | <b>Y</b>                                     |   |                           |          |             |          |       |          |         |          |       |          |        |          |      |          |  |  |                           |          |                                |           |                             |          |   |               |          |                        |           |            |          |                     |           |            |          |                     |           |          |          |            |          |              |          |  |                           |          |                         |          |                         |          |                          |          |                           |           |                         |          |                         |          |                          |          |                           |           |   |                              |          |                      |          |  |            |          |             |          |                         |          |              |          |
| 60 psig; 4 bar; 0.4 MPa  | <b>L</b>                                     |   |                           |          |             |          |       |          |         |          |       |          |        |          |      |          |  |  |                           |          |                                |           |                             |          |   |               |          |                        |           |            |          |                     |           |            |          |                     |           |          |          |            |          |              |          |  |                           |          |                         |          |                         |          |                          |          |                           |           |                         |          |                         |          |                          |          |                           |           |   |                              |          |                      |          |  |            |          |             |          |                         |          |              |          |
| 125 psig; 8 bar; 0.8 MPa   | <b>N</b>                                     |   |                           |          |             |          |       |          |         |          |       |          |        |          |      |          |  |  |                           |          |                                |           |                             |          |   |               |          |                        |           |            |          |                     |           |            |          |                     |           |          |          |            |          |              |          |  |                           |          |                         |          |                         |          |                          |          |                           |           |                         |          |                         |          |                          |          |                           |           |   |                              |          |                      |          |  |            |          |             |          |                         |          |              |          |
| 250 psig; 17 bar; 1.7 MPa  | <b>H*</b>                                    |   |                           |          |             |          |       |          |         |          |       |          |        |          |      |          |  |  |                           |          |                                |           |                             |          |   |               |          |                        |           |            |          |                     |           |            |          |                     |           |          |          |            |          |              |          |  |                           |          |                         |          |                         |          |                          |          |                           |           |                         |          |                         |          |                          |          |                           |           |   |                              |          |                      |          |  |            |          |             |          |                         |          |              |          |
| Oil Mist Standard Sight Dome   | <b>L</b>                                     |   |                           |          |             |          |       |          |         |          |       |          |        |          |      |          |  |  |                           |          |                                |           |                             |          |   |               |          |                        |           |            |          |                     |           |            |          |                     |           |          |          |            |          |              |          |  |                           |          |                         |          |                         |          |                          |          |                           |           |                         |          |                         |          |                          |          |                           |           |   |                              |          |                      |          |  |            |          |             |          |                         |          |              |          |
| No Drain; Closed End   | <b>N</b>                                     |   |                           |          |             |          |       |          |         |          |       |          |        |          |      |          |  |  |                           |          |                                |           |                             |          |   |               |          |                        |           |            |          |                     |           |            |          |                     |           |          |          |            |          |              |          |  |                           |          |                         |          |                         |          |                          |          |                           |           |                         |          |                         |          |                          |          |                           |           |   |                              |          |                      |          |  |            |          |             |          |                         |          |              |          |
| No Bracket   | <b>A</b>                                     |   |                           |          |             |          |       |          |         |          |       |          |        |          |      |          |  |  |                           |          |                                |           |                             |          |   |               |          |                        |           |            |          |                     |           |            |          |                     |           |          |          |            |          |              |          |  |                           |          |                         |          |                         |          |                          |          |                           |           |                         |          |                         |          |                          |          |                           |           |   |                              |          |                      |          |  |            |          |             |          |                         |          |              |          |
| Port Blocks  | <b>C</b>                                     |   |                           |          |             |          |       |          |         |          |       |          |        |          |      |          |  |  |                           |          |                                |           |                             |          |   |               |          |                        |           |            |          |                     |           |            |          |                     |           |          |          |            |          |              |          |  |                           |          |                         |          |                         |          |                          |          |                           |           |                         |          |                         |          |                          |          |                           |           |   |                              |          |                      |          |  |            |          |             |          |                         |          |              |          |
| Port Blocks & Wall Brkt  | <b>D</b>                                     |   |                           |          |             |          |       |          |         |          |       |          |        |          |      |          |  |  |                           |          |                                |           |                             |          |   |               |          |                        |           |            |          |                     |           |            |          |                     |           |          |          |            |          |              |          |  |                           |          |                         |          |                         |          |                          |          |                           |           |                         |          |                         |          |                          |          |                           |           |   |                              |          |                      |          |  |            |          |             |          |                         |          |              |          |
| Wall Bracket   | <b>W</b>                                     |   |                           |          |             |          |       |          |         |          |       |          |        |          |      |          |  |  |                           |          |                                |           |                             |          |   |               |          |                        |           |            |          |                     |           |            |          |                     |           |          |          |            |          |              |          |  |                           |          |                         |          |                         |          |                          |          |                           |           |                         |          |                         |          |                          |          |                           |           |   |                              |          |                      |          |  |            |          |             |          |                         |          |              |          |

**Most Popular**

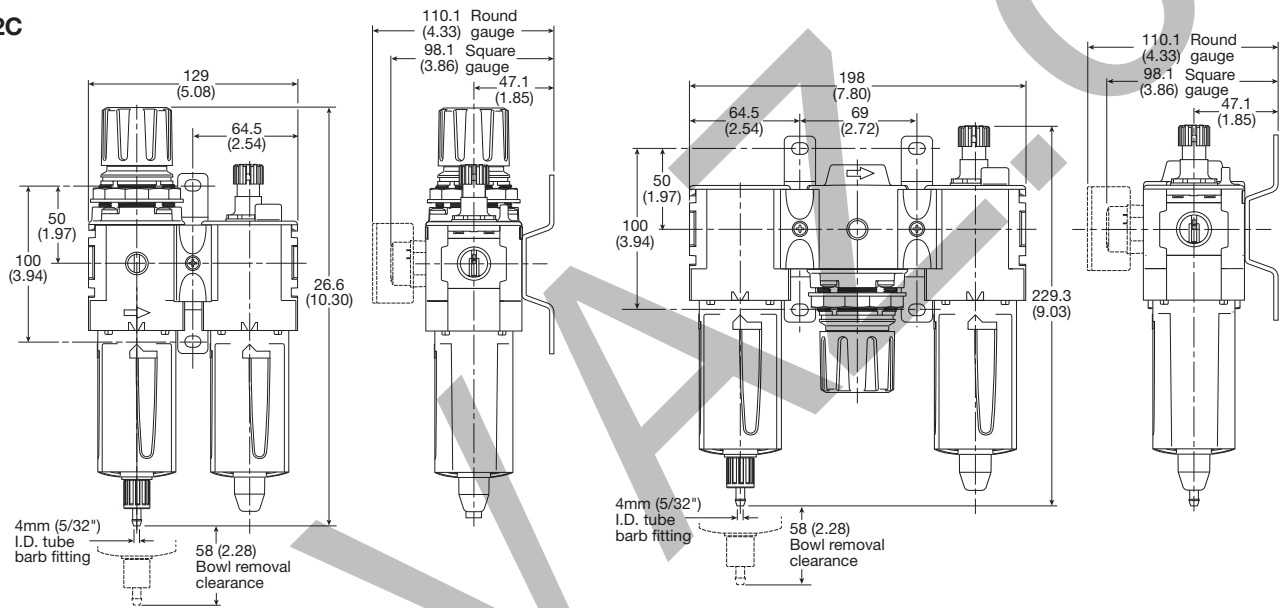


Popular Combination Dimensions mm (inches)

P31C



P32C



P33C

